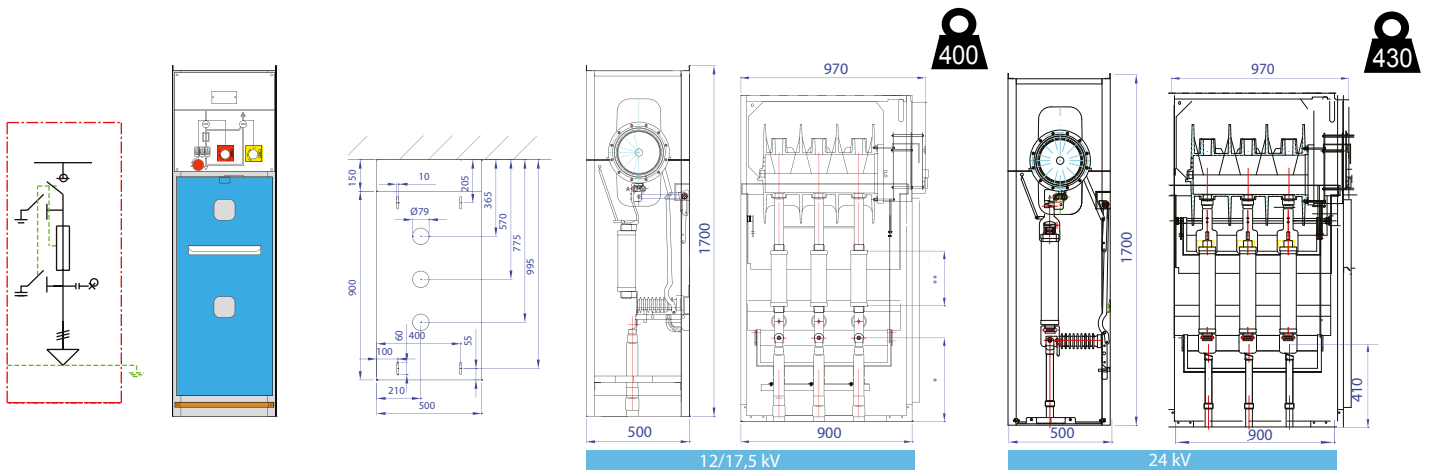


DF-P

Protection cubicle with load break switch/fuse combination.



Standard Equipment

- Triple-phase load break switch RV44, class E3 according to IEC 62271-105, SF₆-insulation
- Double earthing switch with mutual interlock
- Socket for HRC fuses:
 - e = 292 mm DIN 10 at 17.5 kV
 - e = 442 mm DIN 20 at 24 kV
 - UTE
- Triple-pole fuse trip
- Switch-off mechanism through hitting bolt
- Door interlock
- Insulators with capacitive device for VDS (Voltage Detection System)
- Low-voltage compartment
- Floor panels

Cubicle Options

- Set of auxiliary contacts on load break switch
- Set of auxiliary contacts on earthing switch
- Key interlock on load break switch
- Key interlock on the earthing switch
- Key interlock on both
- Shunt trip (*)
- Under voltage release (*)
- Closing release (*)
- Motor operation (*)
- HRC fuses and/or spare fuses
- Contact "fuse blown"
- Automatic recloser
- Voltage indicators VDS - LRM (**) - HR (***) (to be confirmed at order)
- Cubicle base: 200 mm, 300 mm or 400 mm height (other dimensions on demand)
- Button press control
- Remote control

(*) Available voltages: 24 V AC/DC, 48 V AC/DC, 110 V AC/DC, 220 V AC

(**) Low resistance measurement

(***) High resistance measurement

APPLICATION

Transformer protection and MV-equipment protection.

SPECIFICATIONS & DIMENSIONS

Rated Voltage	kV	12	17,5	24
Rated current	A	800/1250 ^(*)	800/1250 ^(*)	630/800
Short-term current	kA	25	25	20
Time of the short duration of current	s	1	1	1
Width	mm	500	500	500
Depth	mm	1050	1050	1050
Height	mm	1700	1700	1700
Height between ground and end socket	mm	460	460	415
Fuse size	mm	292 (DIN)	292 (DIN)	442 (DIN)/UTE
Weight	kg	400	400	430

(*) Max I_n through fusecontacts: 63A

